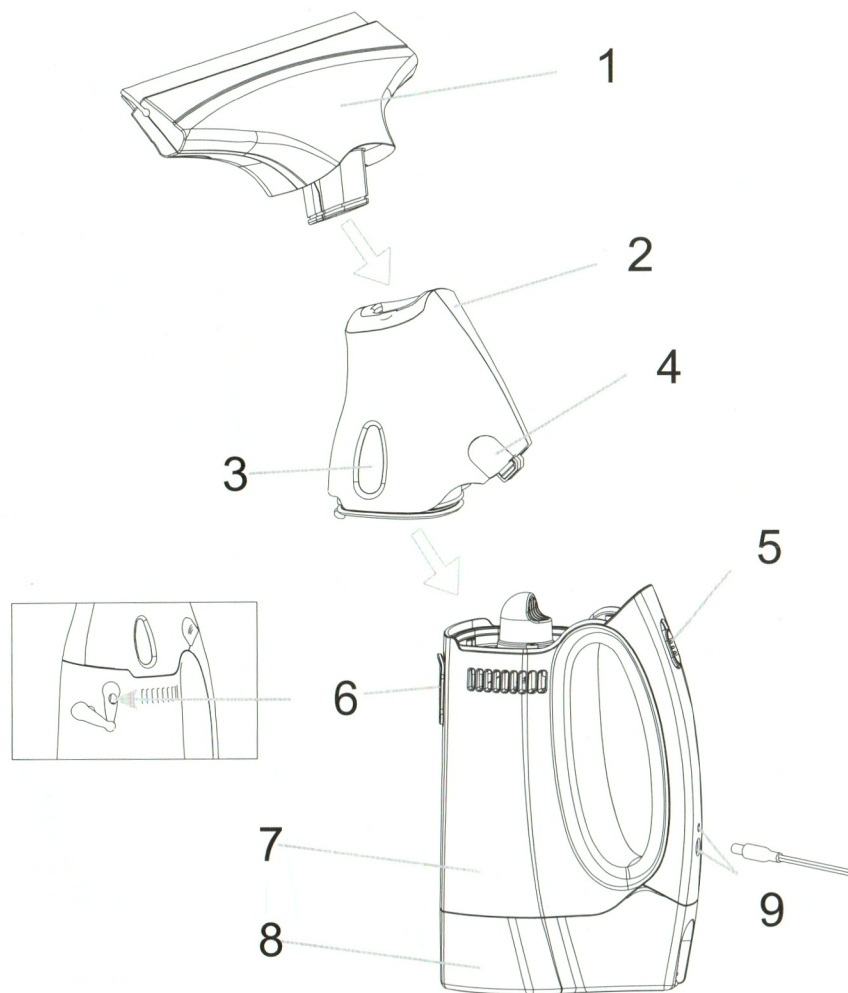


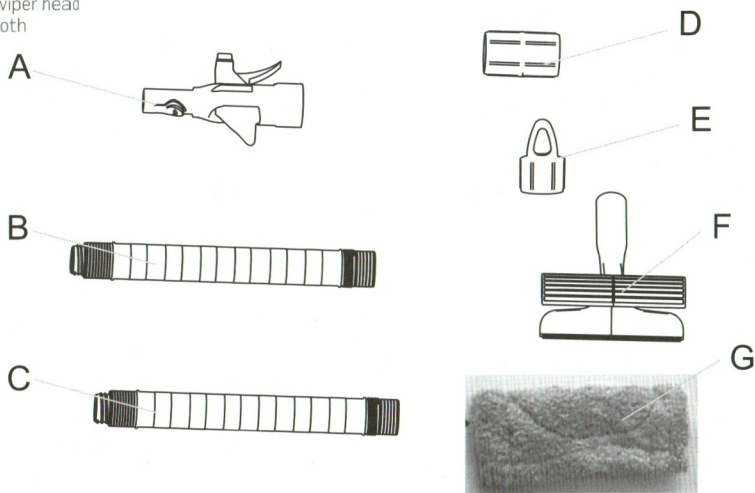
Parts/Controls: Vacuum Unit

- | | | |
|---------------------------|----------------------|---------------------------------|
| 1 Vacuum Nozzle | 4 Lock | 7 Transparent water tank |
| 2 Nozzle / Tank Connector | 5 Power Switch | 8 Tank / Body |
| 3 See through Window | 6 Dirty water outlet | 9 Indicator Light and DC outlet |



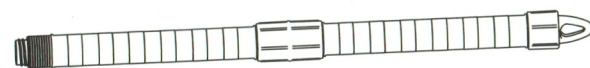
Parts/Controls: Wand Unit

- A. Sprayer
- B. Clean water tank
- C. Extension stick
- D. Pipe connecting head
- E. Extension stick cover
- F. Mopping / wiper head
- G. Cleaning cloth



Please install the according device on the following steps:

Step1: B+C+D+E



Step2: Add water into B

Step3: A+B



Step4: F+G



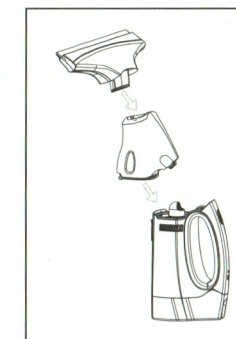
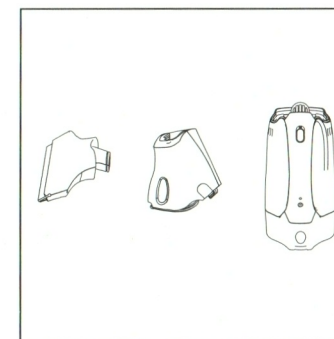
Step5: 3+4



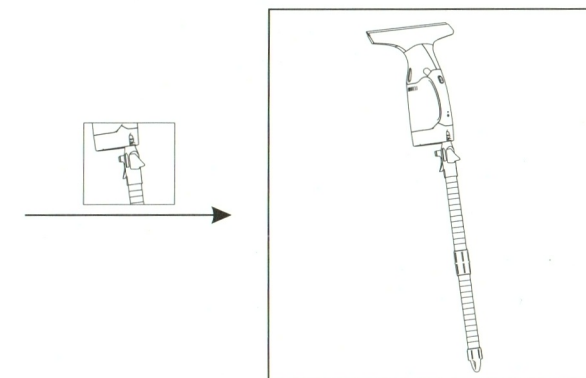
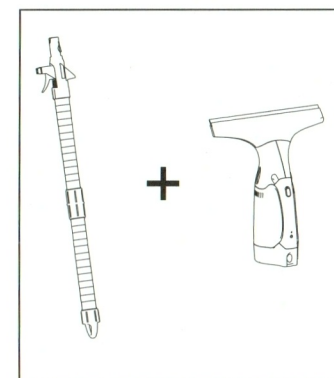
First Time Use

Assembly Instructions

Assemble the vacuum section as shown:



Attach the vacuum assembly to the wand:



Every Day Use

- 1 Assemble the unit as described in the assembly instructions.
- 2 Ensure the unit is powered off.
- 3 Plug the charger into a power source. A beep sounds and the indicator light flashes as the charging begins.
- 4 The unit beeps three times and the indicator light turns off when fully charged.
- 5 Wash the window as usual with a cleaning solution.
- 6 Turn on the vacuum and vacuum the water from the surface.
- 7 Drain the dirty water reservoir when full.
- 8 When done, turn the appliance off, disassemble, and clean all parts and allow to air dry. Do not immerse the electrical assembly; surface clean only.
- 9 The unit beeps and the indicator light flashes to indicate low power.
- 10 When the power is exhausted, the unit beeps five times and the indicator light flashes.
- 11 Charge the battery to be ready for the next use.

Tips

- Use to clean any smooth, flat surface such as mirrors, automobile windows, etc.
- Use on indoor and outdoor windows.
- Use on shower doors, tiles, counter tops, smooth floors.

Specifications

Volume of direct water reservoir	6 oz. (180 ml)
Operation duration at full charge	30 min.
Nominal battery voltage	3.7v
Rated power of appliance	12w
Charging current for empty battery	3 hours
Output voltage of the charger	5v
Output current of the charger	1A
Sound pressure level	60 dB(A)
Weight	2.6 lbs. (1.2kg)
Battery	Lithium

ivation 

Window Vacuum Cleaning System User Guide



IVATION™ isn't about products, it's about passions and the people driven by them. In our world, trite is non-existent because we believe our customers are insightful and will recognize and appreciate the authenticity of our talent displayed in our products. We're not about technical jargon or phrases, rather we're about the products and ideas which inspired people to create them. We take innovation into all of our designs; no existing word or phrase can communicate the uniqueness of our products.

The Ivation Window Vacuum is a rare innovation in window cleaning that prevents streaks and expedites the window cleaning process.

Safety Information

- Read and understand this User Guide before using this unit.
- Do not store or charge the Window Vacuum cleaner outdoors.
- Do not charge with moist or wet hands.
- Do not insert any objects into the ventilation slots.
- Keep the Window Vacuum away from children.
- Charge the Window Vacuum only with the supplied charger.
- Fully charge the Window Vacuum prior to first use.
- Remove the charger from the outlet and Window Vacuum cleaner after charging.
- Do not attempt to repair this unit; use professional repair services as needed.
- Unplug before cleaning or maintenance.
- Do not immerse or allow moisture to touch the buttons or switches.
- For household use only; do not use commercially.
- Use only to clean wet, smooth surfaces such as windows, mirror and tiles.
- Avoid sucking in dust and dirt.
- Avoid using on rough surfaces to prevent damage to the rubber lip.
- Do not exceed storage capacity (6 oz / 180 ml).
- Use only with provided accessories.

Features

- Streak free window cleaning system
- Suction prevents unsightly streaks
- Included wand for reaching far and wide
- Lightweight and easy to use

Box Contents

Vacuum nozzle
Nozzle to tank connector
Water tank
Sprayer
Clean water tank
Extension stick
Pipe connecting head
Extension stick cover
Mopping/wiper head
Cleaning cloth
Lithium battery and charger
User Guide

Distributed by
C & A Marketing
2 Bergen Turnpike
Ridgefield Park, NJ 07660
info@myivation.com

Made in China
ivation is a trademark of
C&A IP Holdings, LLC
©2015 All right reserved

AC Adapter
5V / 1A.

IVAWV47

UPC: 8 40102 13055 3